

Features

- Heavy Duty, Lightweight, Non-Reflective Construction from Nylon Material
- Easy to Operate
 - Quick Height Adjustments
 - Single-Motion Collapsibility for Storage/Transport
- Can Support up to 50 lbs.
- Three-Year Warranty

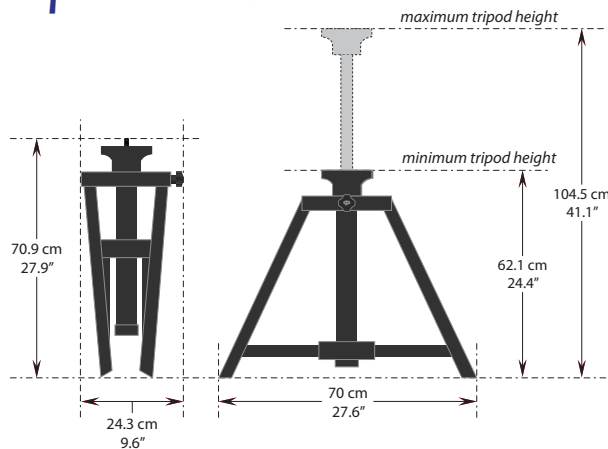
Specifications

All specifications are subject to change without notice.
All values are typical, unless specified.

GENERAL	
Tripod Height Range	62.1 cm to 104.5 cm (24.4" to 41.1") <i>[see table for mounted antenna heights]</i>
Material	Nylon
Maximum Load	50 lbs. (22.6 kg)
Tripod Weight	19 lbs. (8.6 kg)



Tripod Dimensions



Description

The AT-220 Antenna Tripod is constructed from high quality nylon material, and is easily collapsible for storage or transport. It is a highly non-reflective, lightweight, heavy duty tripod designed to support loads up to 50 pounds (22.6 kg). It is suitable for use indoors and outdoors.

The nylon center rod allows for stepless, smooth height adjustment, with a knob-operated locking mechanism to easily fix its position. The antenna is mounted to the tripod with the included 1/4" x 20 threads (standard) mounting bolt.

As with all Com-Power Products, the AT-220 Tripod is provided with a standard three-year warranty.

Height Ranges for Mounted Antennas

COMPATIBLE COM-POWER ANTENNAS		MINIMUM HEIGHT	MAXIMUM HEIGHT
AM-741R Active Monopole Antenna	Antenna Mid-point:	119.5 cm	162 cm
	Top of Counterpoise:	67.5 cm	110 cm
AL-130R Active Loop Antenna	Center of Loop:	88 cm	130.4 cm
	Bottom of Loop:	62.1 cm	104.5 cm
AH-220 Double Ridge Horn Antenna	Vertical Polarization:	86.7 cm	129.1 cm
	Horizontal Polarization:	93.2 cm	135.6 cm